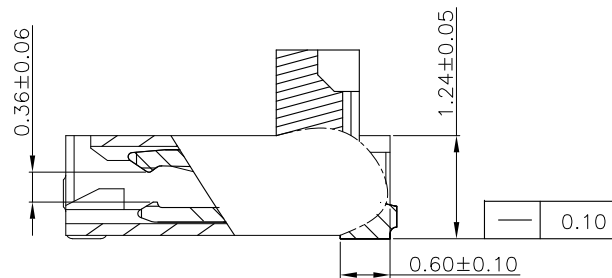
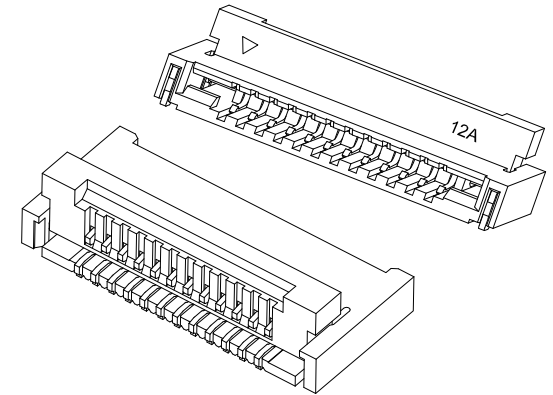
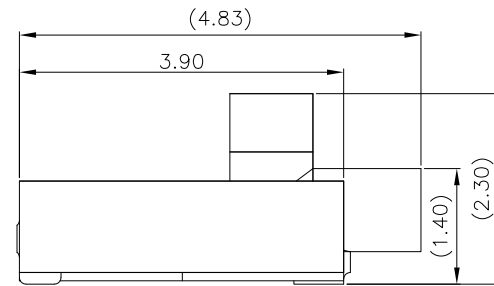
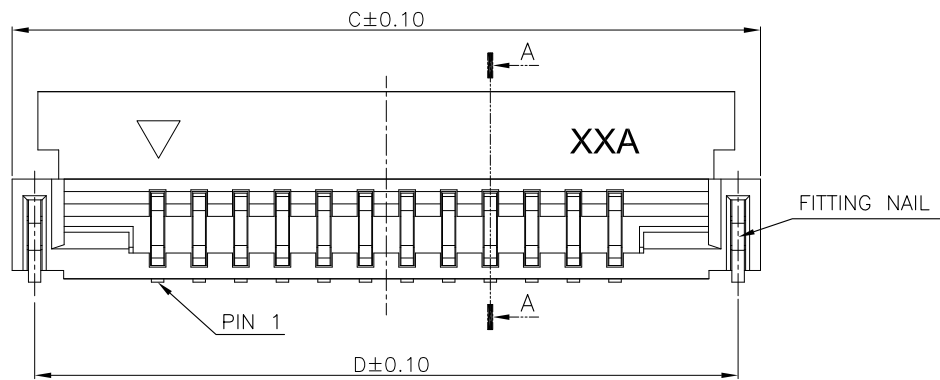
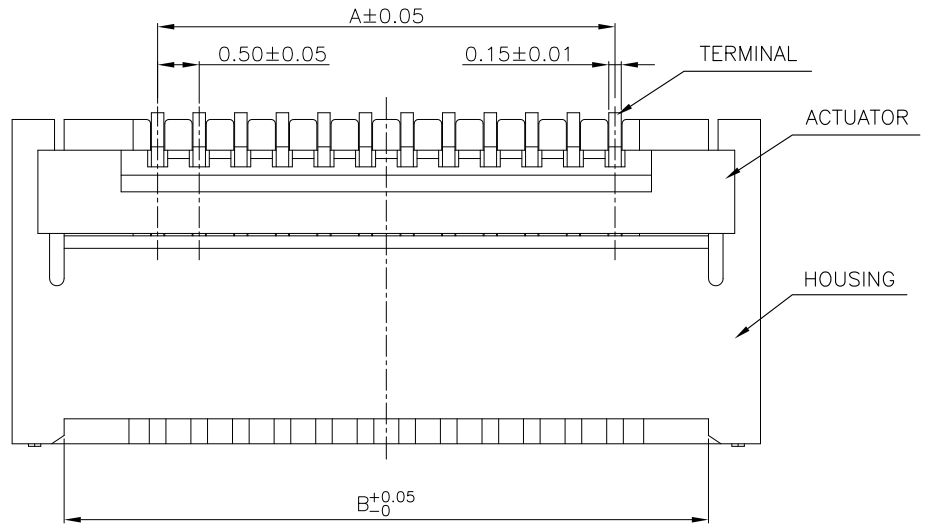


NOTES:

1. HOUSING MATERIAL: HEAT RESISTANT PLASTIC UL94V-0 ; COLOR: CREAM
2. ACTUATOR MATERIAL: HEAT RESISTANT PLASTIC UL94V-0 ; COLOR: BLACK
3. TERMINAL MATERIAL: COPPER ALLOY
4. FITTING NAIL MATERIAL: COPPER ALLOY
5. PLATING:
 TERMINAL: GOLD FLASH OVER NICKEL PLATING
 FITTING NAIL: MATTE TIN PLATED OVER NICKEL
6. TYPE NO: FPC0512JMYK01XXX
 NO. Of Contacts ←
 008: 8PIN



NO. Of Contacts	A	B	C	D
8PIN	3.50	5.75	7.00	6.46
12PIN	4.50	6.75	8.00	7.46

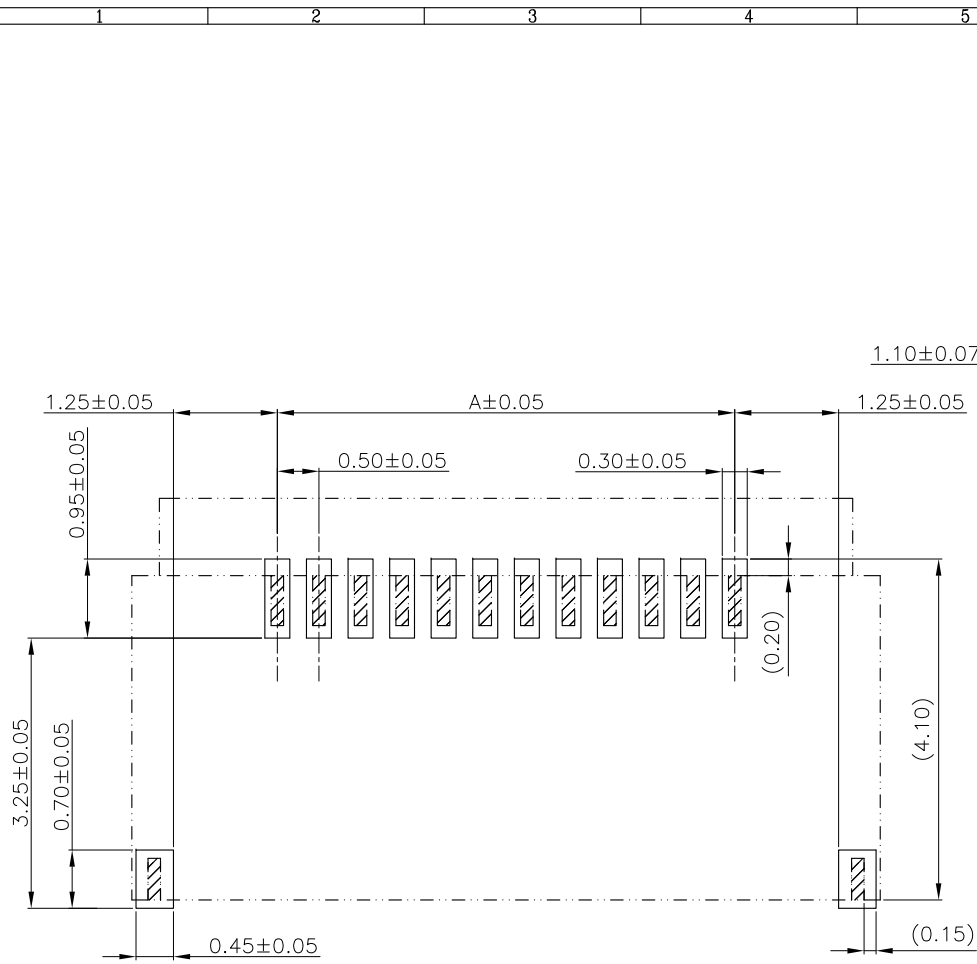
CUSTOMER DRAWING



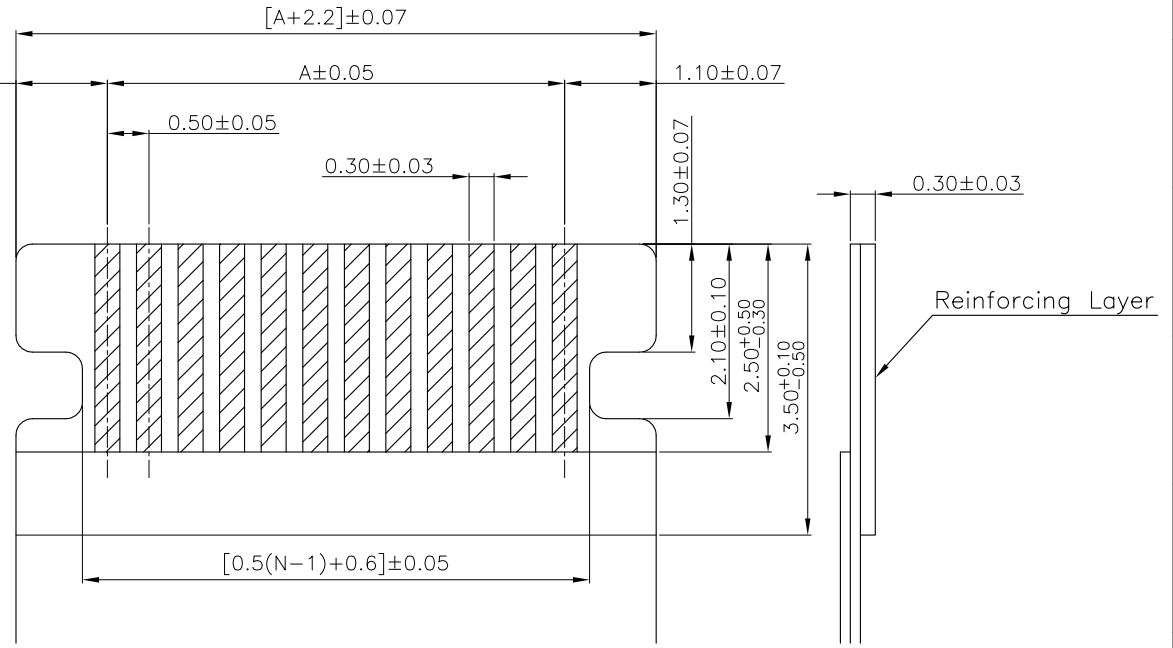
中航光电精密电子(深圳)有限公司
 China Aviation Optical-Electrical Precision Electronics (ShenZhen) Co., Ltd

SER	AREA	DESCRIPTION	CHK	DATE	UNIT	SIZE	NUMBER	SCALE	SIZE	NAME	REV
					mm	A4		1/2	A4	FPC 05 BACK FLIP Type H1.2 Connector	A

UNLESS OTHERWISE SPECIFIED	APPROVED	DATE	TYPE NO
TOLERANCES ARE	rebecca.luo	2019-08-15	FPCH05120JMYK01XXX
X.X ±0.30	CHECKED	DATE	DRAWING NO
X.XX ±0.20	qong.guo	2019-08-15	
X.XXX ±0.10	DRAWN	DATE	Cus. Part NO.:
ANG. ±0°30'	jie.gao	2019-08-15	



APPLICABLE P.C.B DIMENSION(REF.)



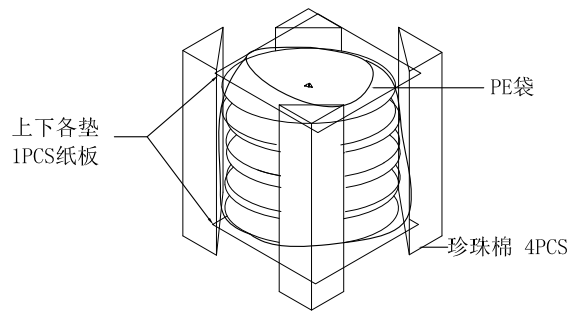
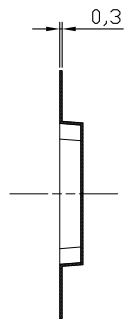
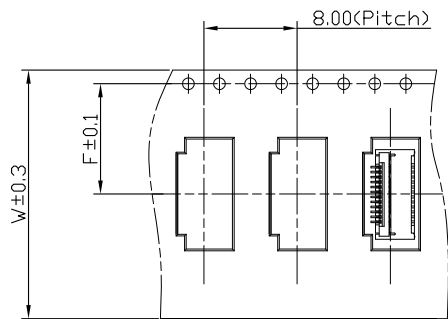
APPLICABLE F.P.C DIMENSION(REF.)

CUSTOMER DRAWING



中航光电精密电子（深圳）有限公司
China Aviation Optical-Electrical Precision Electronics (ShenZhen) Co., Ltd

					UNLESS OTHERWISE SPECIFIED	APPROVED	DATE	TYPE NO				
					TOLERANCES ARE	rebecca.luo	2019-08-15	FPCH05120JMYK01XXX				
					X.X ±0.30	CHECKED	DATE	DRAWING NO				
					X.XX ±0.20	qong.guo	2019-08-15					
					X.XXX ±0.10	DRAWN	DATE	Cus. Part NO.:				
					ANG. ±0°30'	jie.gao	2019-08-15					
					UNIT	NUMBER		SCALE	SIZE	NAME	FPC 0.5 BACK FLIP	REV
SER	AREA	DESCRIPTION	CHK	DATE	mm			2/2	A4	Type HI.2 Connector	A	

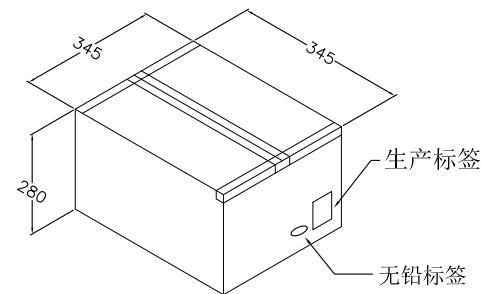
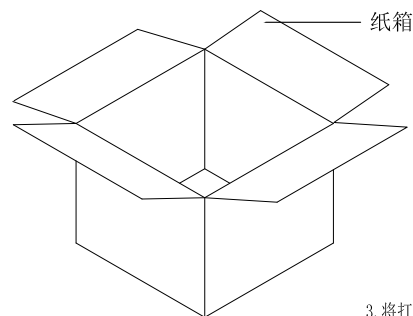


1. 产品装盘后在轮盘上贴上标签
2. 把步骤1贴好标签的产品按图用PE袋包好, 并放入两包干燥剂后装箱

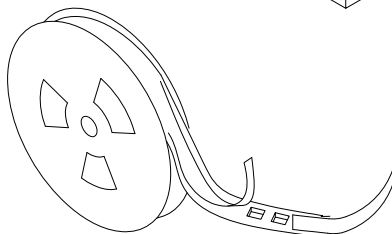
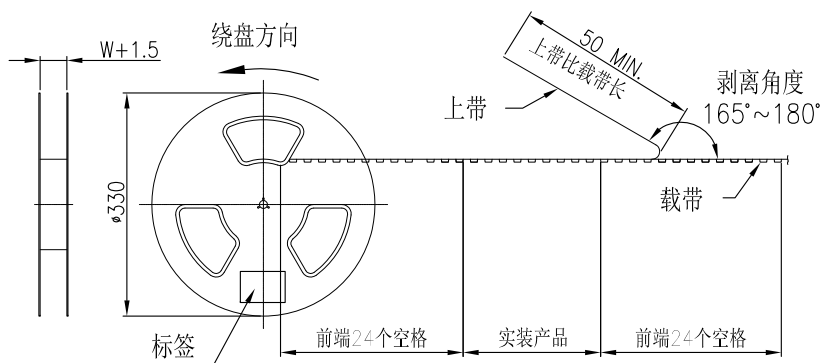
TYPE NO: FPC0512JMYK01XXX
 NO. Of Contacts
 008: 8PIN

User Direction of Unreeling

↓ 装箱



3. 将打包好的产品在外箱贴上生产标签与无铅标签品, 保检验后入库



Carrier Length:13M Pitch:8mm
 Number of Connectors:2000PCS/Reel(13M)

NO. of Contacts	F	W	每盘数量(KPcs)	每箱数量(KPcs)
8PIN	7.5	16.0	2.0	32.0
12PIN	11.5	24.0	2.0	16.0

SER	AREA	REVISIONS	CHK	DATE

UNIT	MM

中航光电精密电子(深圳)有限公司 China Aviation Optical-Electrical Precision Electronics (ShenZhen)Co., Ltd			
APPROVED	DATE	TYPE NO	
rebecca.luo	2019-08-15	FPCH05120JMYK01XXX	
CHECKED	DATE	DRAWING NO	
qong.guo	2019-08-15		
DRAWN	DATE	Customer Part NO	
jie.gao	2019-08-15		
NUMBER	SCALE	SIZE	NAME
	1:1	A4	FPC CONN. 0.5mmPitch H1.2mm FLIP TYPE
			REV
			A